



4K Ultra HD AI Video Device

FEATURE SPOTLIGHT

- Integrated design, through a simple installation process, it can be ready and put into use in any small and medium-sized room within a few minutes
- Innovatively equipped with a dual-camera system, through a 120° ultra-wide-angle lens, you can see all the people in the meeting room. The telephoto camera can also zoom in to view details in a larger meeting room. At the same time, it can automatically optimize the brightness of the screen according to the facial information of the participants to ensure that the participants are still clearly visible in the dim or backlight environment
- Integrate multiple AI smart technologies such as face detection, sound source localization, voice tracking, etc., which can automatically adjust the screen size according to changes in the number of participants and location to present the best viewfinder, and can also detect the speaker's position in real time and show close-ups, eliminating the need for manual Adjust the camera operation to allow participants to focus more on the content of the meeting. At the same time, through the collaborative work of the dual-camera system, the appropriate camera can be selected for image output according to the needs of the screen, providing a better tracking effect
- Powerful audio pickup and incredible noise reduction technology, so that every speech can be heard clearly, so that you will not be disturbed
- Built-in cloud video service platform (such as Zoom and Microsoft Teams, etc.) means there is no need to bring a PC or Mac to the meeting room
- USB mode, can support the connection of PC via USB-C cable, as a USB device of the PC, provide high-quality audio and video capture capabilities for the video conferencing application on the PC, compatible with mainstream video conferencing applications, and realize the connection with various cloud platforms Intercommunication

Nexvoo DoubleView Pro N120W

Nexvoo's new generation of medium-sized meeting room video device DoubleView Pro N120W, using a combination of 8 million ultra-wide-angle lens and telephoto lens, dual-camera collaboration, taking into account the panoramic view and detail presentation of the meeting room; supports 4K ultra-clear video calls and content sharing, and integrates face detection, Multiple AI technologies, such as sound source location and voice tracking, allow you to experience real large-scale conference room-level audio and extremely shocking video effects in a medium-sized conference room.

DoubleView Pro N120W adopts integrated design, integrated video codec/dual camera/microphone/speaker/Wi-Fi/Bluetooth, supports multiple wireless projection technologies, and built-in leading cloud video service support function, it is very simple to use, no need PC or Mac is ideal for medium-sized meeting rooms.

- The most suitable the 10-20 seater boardroom
- The speaker can bring realistic sound, so that everyone can feel full, excellent sound
- Support dual display screens to ensure ideal settings for various types of boardrooms
- Enjoy clear sound quality through our linear microphone array



TECH SPECIFICATIONS

Package Includes

- DoubleView Pro N120W
- Cable package
- Remote Control
- Wall mount
- User manual

Video Standards and Protocols

- H.264, H.265, MJPEG, YUV

Video Output

- 2 x HDMI
- Touch display compatible
- 1080p@60fps video output

Dual Camera System

- Ultra wide-angle camera
 - 8M pixels
 - f/1.8 aperture
 - 5x digital zoom / EPTZ
 - 120° FOV
 - Ultra HD 2160p (4K) capture resolution
- Telephoto camera
 - 2M pixels
 - 8mm focal length
 - f/2.0 aperture
 - 3x digital zoom / EPTZ
 - 52° FOV
- AI smart framing
 - Auto Framing
 - Speaker Tracking
 - Face Recognition
- Camera indicator

Audio

- Audio processing technology
 - Background noise elimination technology
 - Beamforming directional pickup technology
 - Multi-channel echo cancellation processing technology
 - Multi-channel de-reverberation technology
 - Long-distance full-duplex pickup technology
 - Automatic gain control
- Mute/unmute control
- Audio codec: G.711, G.729AB, G.729A, G.722.2 (AMR-WB)

Audio Input

- 8 MEMS microphone arrays
- 1 x 3.5mm line-in
- 6 m / 16.7ft high-quality pickup distance

Audio Output

- Speakers, 90dB@0.5m
- 1 x 3.5mm line-out

Other Physical Properties

- Power adapter: AC100~240V input, DC12V/2A
- RAM/ROM: 4G / 32G
- USB output: DC 5V/500mA
- Dimensions (H.W.D):
 - 78 x 503 x 53 (MM)
 - 3.07 x 19.8 x 2.09 (Inches)
- Weight: 1.4 kg / 3.09 lbs / 49.4 oz
- Operating environment humidity: 15~80%, non-condensing
- Operating environment temperature: 0~40°C
- Storage temperature: -30~70°C

Operating System and Platform

- Android 9.0
- Multimedia desktop design
- Support video conferencing systems, including:
 - Zoom
 - Microsoft Teams
 - etc.
- USB Mode
 - Provide USB camera for PC, up to 4K@30fps
 - Provide USB Audio for PC

Network and Security

- IPv4/IPv6
- Automatic MDIX
- Dynamic bandwidth allocation
- Simple Certificate Enrollment Protocol (SCEP)
- Active Directory external authentication

Other Interfaces

- 2 x USB-A (2.0)
- 1 x USB-C
- 1 x Ethernet port
- Bluetooth 4.2
- WIFI 802.11b/g/n/ac
- 1 x DC Power
- 1 x Reset key
- Kensington security lock

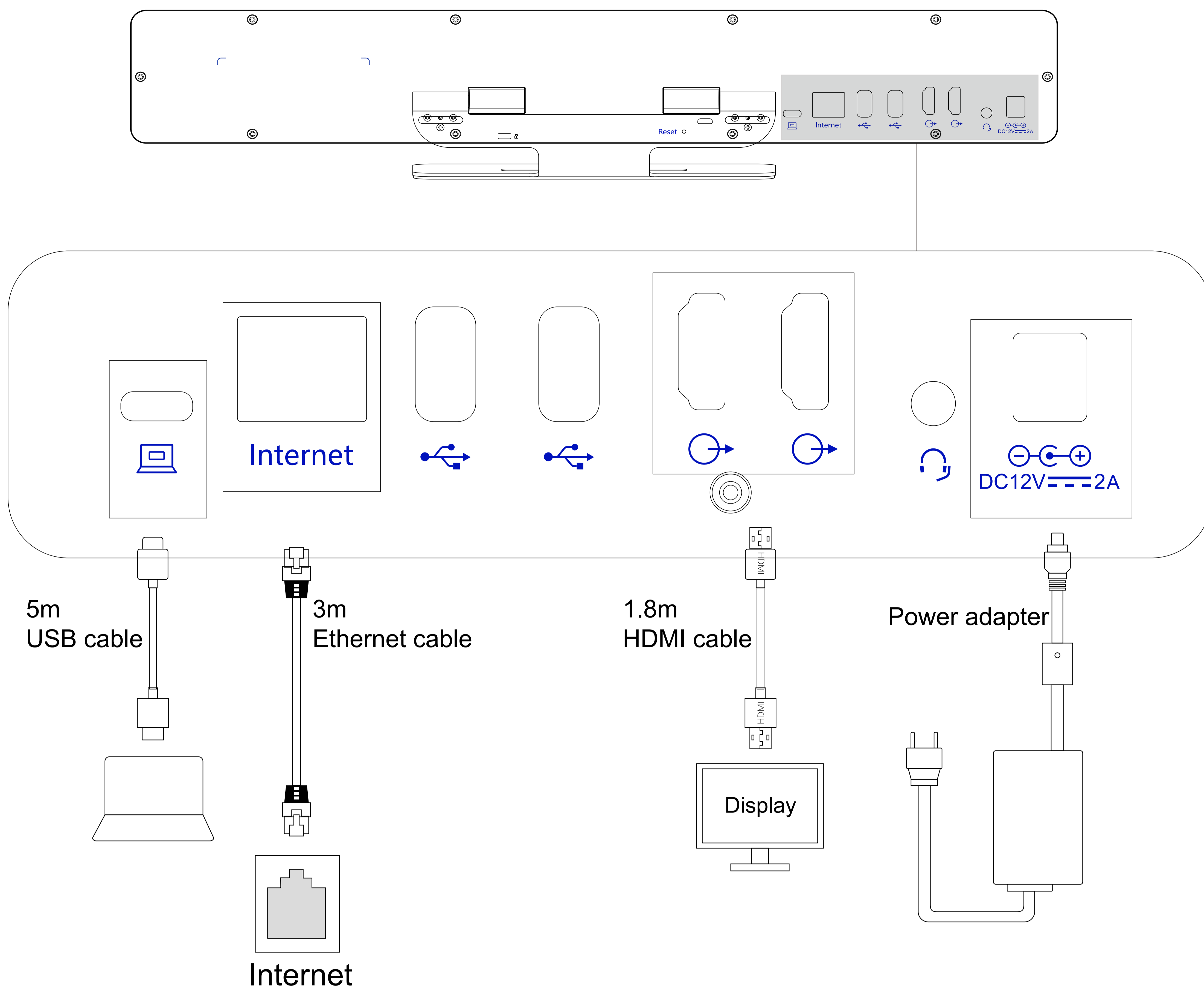
Warranty Information

- 2-year limited hardware

Certifications



Connect DoubleView Pro



LEARN MORE

For more information on DoubleView Pro N120W visit <https://www.nexvoo.com>

Copyright

© 2021 Nexvoo Inc. All rights reserved. The Nexvoo logo and other Nexvoo marks are owned by Nexvoo and may be registered. All other trademarks are the property of their respective owners.

Nexvoo Global Offices

• United States

9325 Uptown Drive, Suite 900 Indianapolis IN 46256

• Netherlands

Poort van Midden Gelderland Rood 22 6666 LT Heteren

• Italy

1 Via Dino Campana 62012 Civitanova Marche